

DXT-31

DXT-31 is used in the following Sentinel wireless sensors, in a number of variations including but not limited to: WLDCDX, WLDWDX, WLMAGDX, WLMATDX, WLSEISDX and the WLVBDX

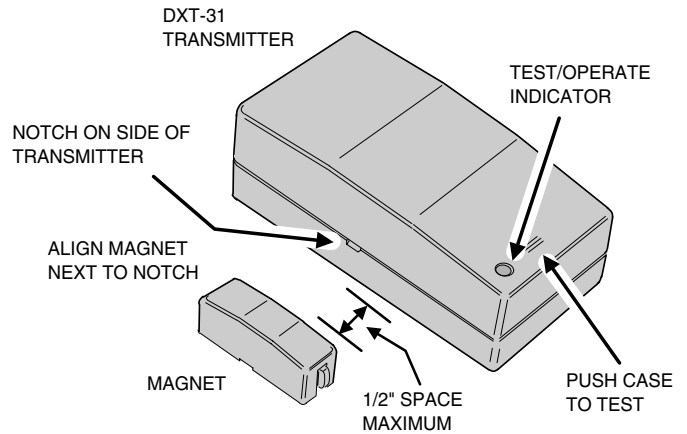
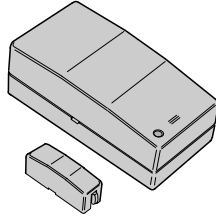


DOOR/WINDOW TRANSMITTER

Installation Instructions



(619) 438-7000 • FAX (619) 438-7043
USA & Canada (800) 421-1587 & (800) 392-0123
Toll Free FAX (800) 468-1340



PRODUCT DESCRIPTION

The DXT-31 is a battery powered stationary transmitter designed for use with Linear's DX Format receivers. This transmitter can be used in a limitless number of wireless remote control applications. Triggering the transmitter with its built-in magnetic switch, an external switch or an external glass break detector sends a digitally coded wireless signal to its companion receiver. Pressing the transmitter's case sends a test transmission.

The digital DX code format features over a million possible codes. The DX transmitters are pre-coded at the factory to unique codes, so no field coding is required. The DXT-31 can send three different codes: alarm, restore and low battery.

For versatility, any transmitter can be programmed into any receiver channel. Receivers must be programmed to the transmitter code before system testing and operation. Refer to the receiver's instructions for details on programming.

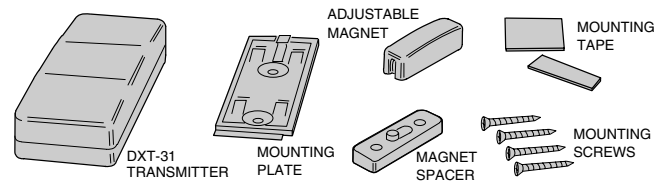
In a typical installation, the magnet is mounted on a door or window and the transmitter is mounted on the frame. When the magnet moves more than 1/2" away from the transmitter, an alarm signal is sent. When the magnet returns next to the unit, a restore signal is sent. Alarms and restores can also be sent from external contacts wired to the terminal block. Pressing the case sends a test transmission that indicates the current state of the contacts.

The transmitter is powered from two 3-Volt #2032 lithium batteries with an expected battery life of up to 3 years. The red test/operate indicator lights during operation and test. It will blink during operation and test when the batteries are low.

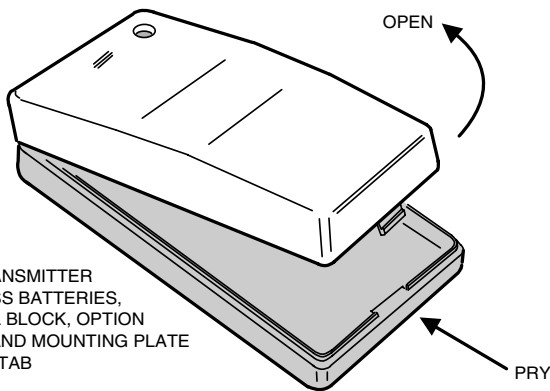
A three-position terminal block is for connection to normally closed external contacts or a normally open "Window Bug" type glass break sensor. An internal jumper selects which input to use. Selections are: internal switch only, external switch only, both external and internal switch, and glass break sensor.

A snap-on transmitter mounting plate is provided for easy installation. The magnet has four height positions. An additional snap-on magnet spacer is provided for a total of eight magnet positions.

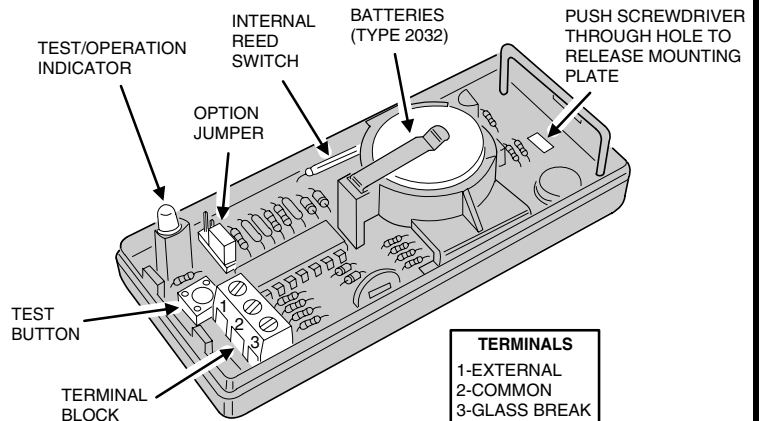
NOTE: Functioning of the slide switch marked INSTANT and DELAYED on the bottom of the DXT-31 depends on the receiver used. With some receivers, it has no function.



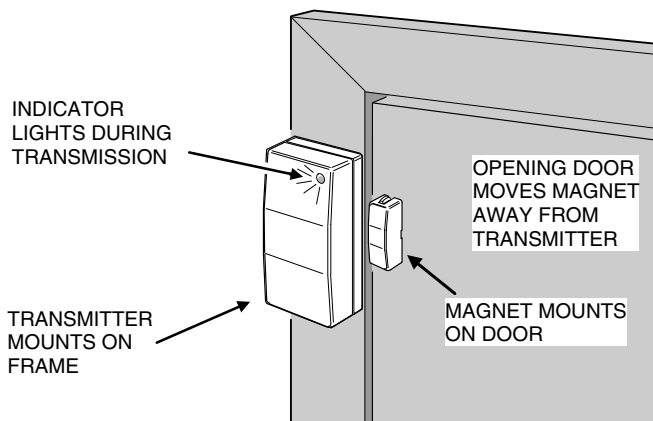
OPENING CASE



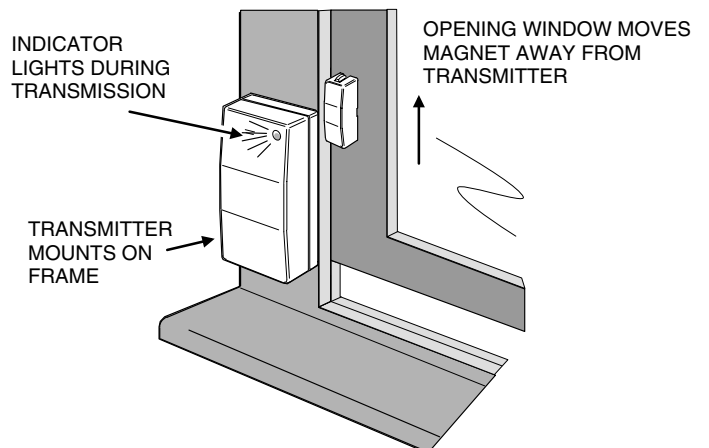
COMPONENT LOCATIONS



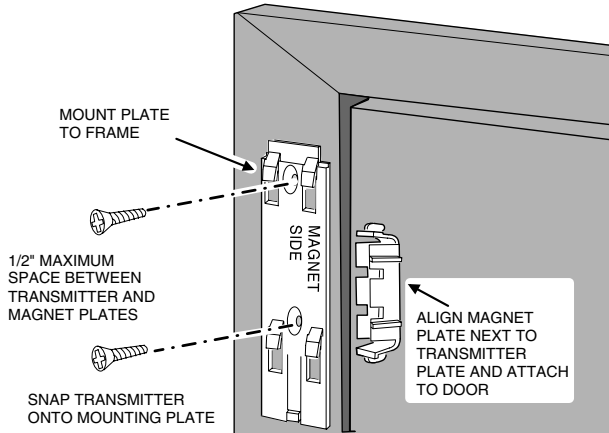
EXAMPLE DOOR INSTALLATION



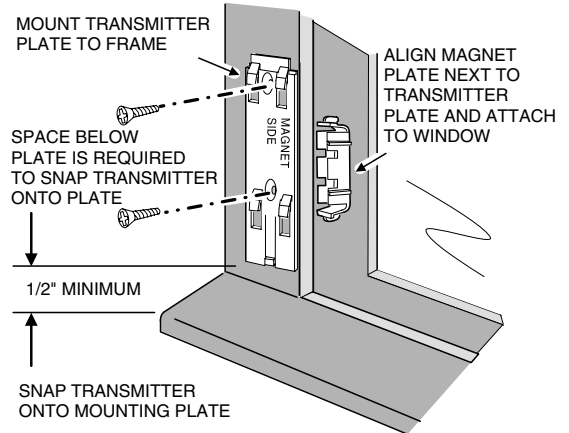
EXAMPLE WINDOW INSTALLATION



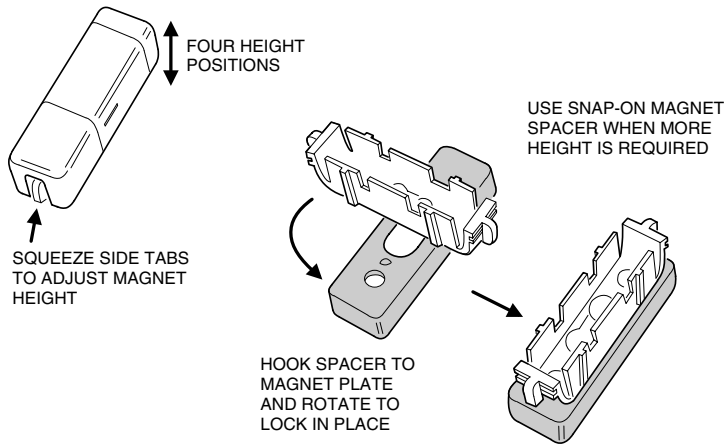
MOUNTING ON DOOR



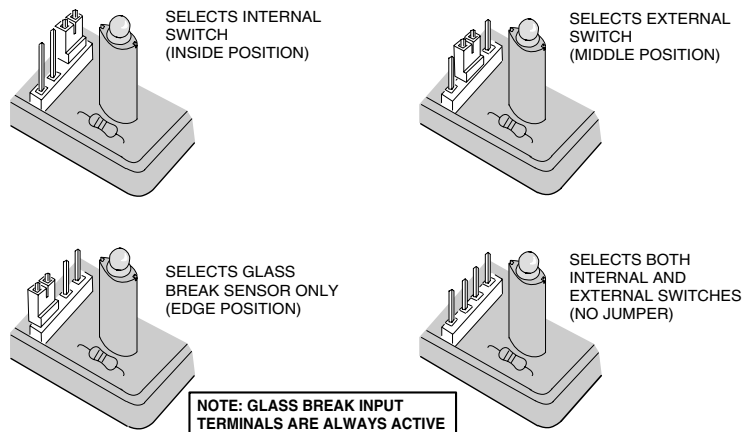
MOUNTING ON WINDOW



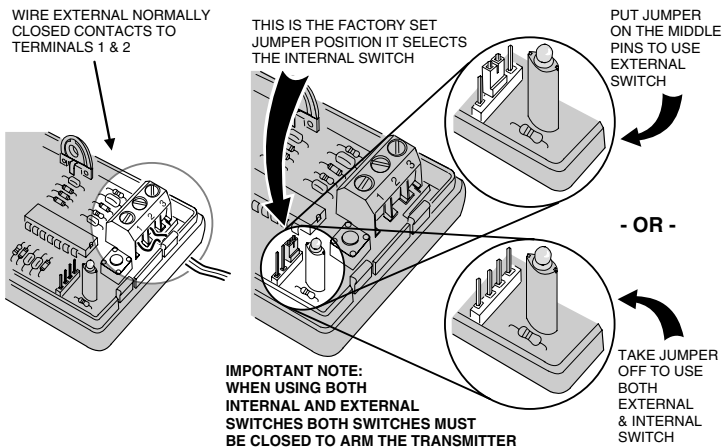
OPTIONAL MAGNET SPACER



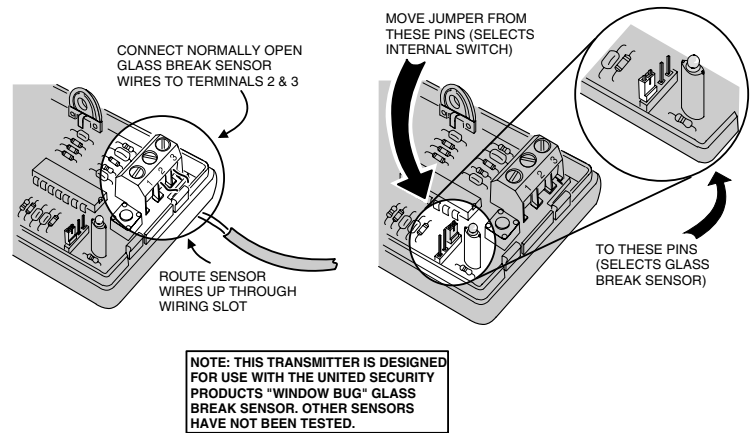
OPTION JUMPER POSITIONS



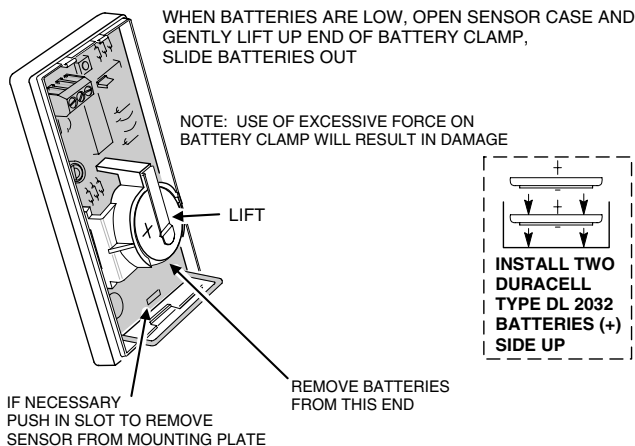
CONNECTING EXTERNAL CONTACTS



CONNECTING EXTERNAL GLASS BREAK SENSOR



CHANGING BATTERIES



LINEAR LIMITED WARRANTY

This Linear product is warranted against defects in material and workmanship for twelve (12) months. The Warranty Expiration Date is labeled on the product. **This warranty extends only to wholesale customers who buy direct from Linear or through Linear's normal distribution channels. Linear does not warrant this product to consumers.** Consumers should inquire from their selling dealer as to the nature of the dealer's warranty, if any. **There are no obligations or liabilities on the part of Linear corporation for consequential damages arising out of or in connection with use or performance of this product or other indirect damages with respect to loss of property, revenue, or profit, or cost of removal, installation, or reinstallation.** All implied warranties, including implied warranties for merchantability and implied warranties for fitness, are valid only until Warranty Expiration Date as labeled on the product. **This Linear Corporation Warranty is in lieu of all other warranties express or implied.**

For warranty service on Linear equipment return product, at sender's expense to:

Linear Corporation Repairs Department
2580 Pioneer Avenue, Suite C
Vista, CA 92083

IMPORTANT !!!

Linear radio controls provide a reliable communications link and fill an important need in portable wireless signalling. However, there are some limitations which must be observed.

For U.S. installations only: The radios are required to comply with FCC Rules and Regulations as Part 15 devices. As such, they have limited transmitter power and therefore limited range.

A receiver cannot respond to more than one transmitted signal at a time and may be blocked by radio signals that occur on or near their operating frequencies, regardless of code settings.

Changes or modifications to the device may void FCC compliance.

Infrequently used radio links should be tested regularly to protect against undetected interference or fault.

A general knowledge of radio and its vagaries should be gained prior to acting as a wholesale distributor or dealer, and these facts should be communicated to the ultimate users.